

Low voltage, dimmable electronic transformer for indoor locations.



**Features**

- Switching electronic power supply
- Dimming down to 0.1%
- Constant Voltage
- Universal input voltage: 100-277V AC
- Single and multiple 12V or 24V DC outputs
- UL listed for dry/damp location box
- 5 year warranty

**Environmental**

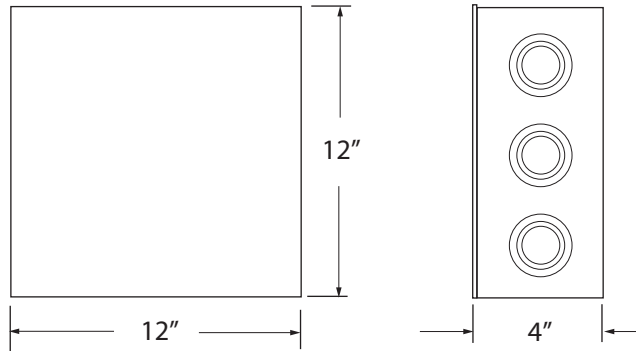
- Operating temperature: -40°C to +80°C (Full load)
- Storage temperature: -65°C to +90°C
- Heat Dissipation: Convection

**Mechanical Specification**

- Steel enclosure
- Internal holes for wall mount and 1/2" knockouts for conduit and fittings
- NEMA 1 rated

**Electrical Data**

- Secondary circuit maximum protection for Class 2 circuits: 5A for 12V DC 4A for 24V DC
- Voltage regulated
- Voltage regulated +/-3%
- Auto overload / short circuit / over voltage protection



**Ordering Information**

DESCRIPTION	CAT NO	APPLICATION	PRIMARY VOLTAGE	SECONDARY VOLTAGE	CIRCUIT BREAKERS	MAX LOAD	CIRCUIT CAPACITY	DIMMING %	DIMENSION
ADUL Series Class 2 Transformer	ADUL-80-1-5-12-DOT	Indoor or Damp	100-277V AC 50/60 HZ	12V DC	1	60W	5A	0.1%	12.00"W X 12.00" L X 4.00" D
	ADUL-150-2-5-12-DOT				2	2x60W	2x5A		
	ADUL-240-3-5-12-DOT				3	3x60W	3x5A		
	ADUL-320-4-5-12-DOT				4	4x60W	4x5A		
	ADUL-120-1-4-24-DOT			24V DC	1	96W	4A		
	ADUL-240-2-4-24-DOT				2	2x96W	2x4A		
	ADUL-320-3-4-24-DOT				3	3x96W	3x4A		

## ADUL-DOT Series Power Supply with DIM-OT Wiring Diagram

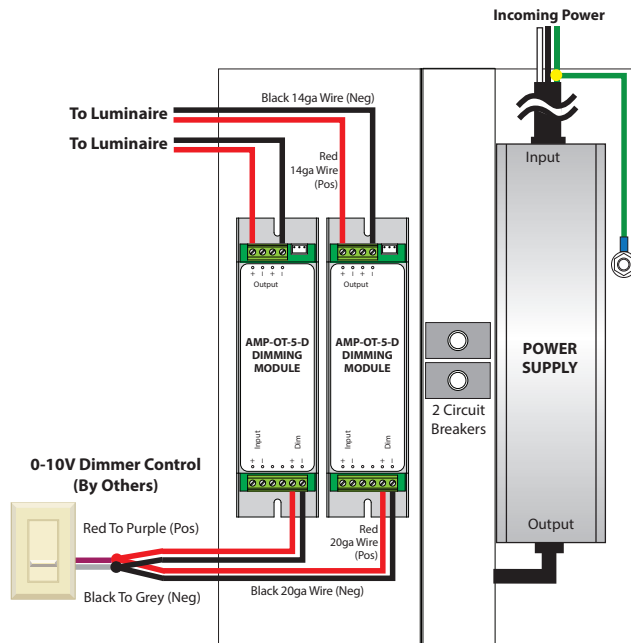
ADUL-DOT SERIES WITH POWER SUPPLY AND DIM-OT COMES PACKAGED IN A NEMA 1 RATED STEEL BOX.

**ADUL-150-2-5-12-DOT**

120-277V AC / 12V DC, 120W /2 CIRCUITS X 5A

**ADUL-240-2-4-24-DOT**

120-277V AC / 24V DC, 192W /2 CIRCUITS X 4A

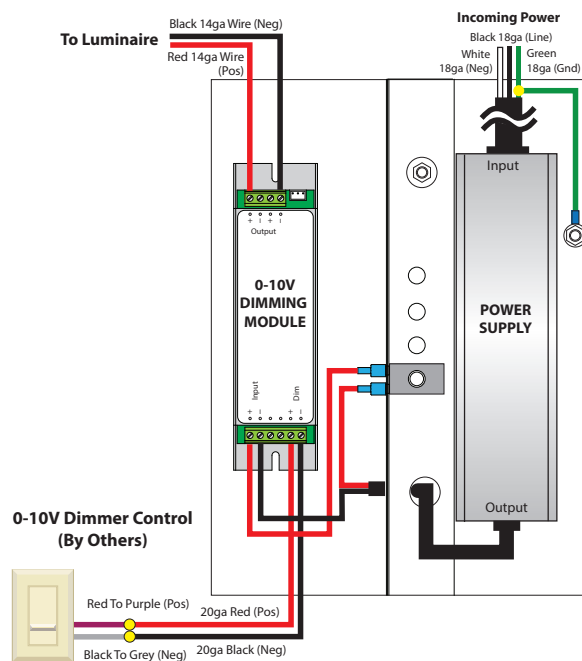


**ADUL-80-1-5-12-DOT**

120-277V AC / 12V DC, 60W /1 CIRCUIT X 5A

**ADULO-120-1-4-24-DOT**

120-277V AC / 24V DC, 96W /1 CIRCUIT X 4A

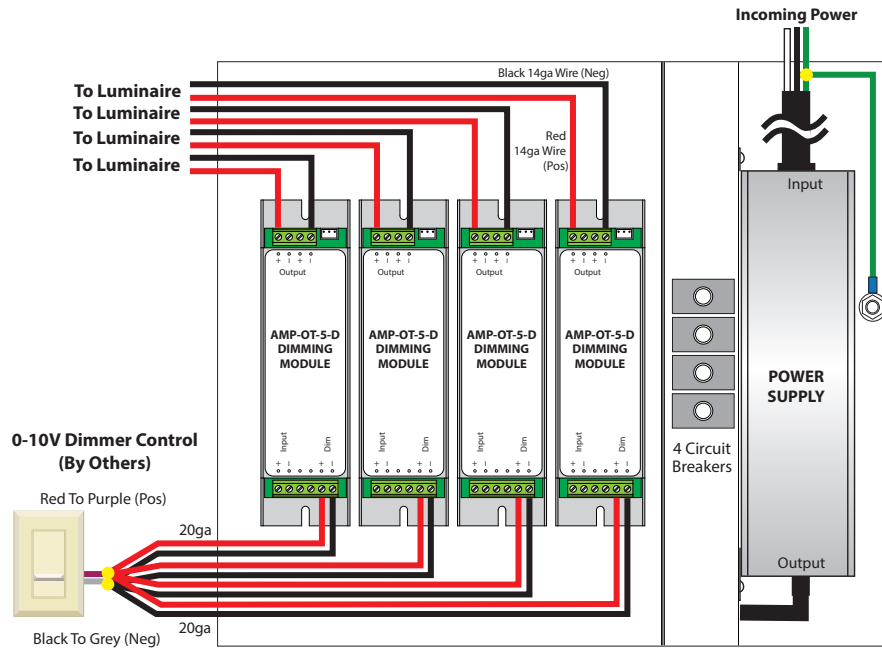


## ADUL-DOT Series Power Supply with DIM-OT Wiring Diagram

ADUL-DOT SERIES WITH POWER SUPPLY AND DIM-OT COMES PACKAGED IN A NEMA 1 RATED STEEL BOX.

### ADUL-320-4-5-12-DOT

120-277V AC / 12V DC, 240W / 4 CIRCUITS X 5A



### ADUL-240-3-5-12-DOT

120-277V AC / 12V DC, 180W / 3 CIRCUITS X 5A

### ADUL-320-3-4-24-DOT

120-277V AC / 24V DC, 288W / 3 CIRCUITS X 4A

